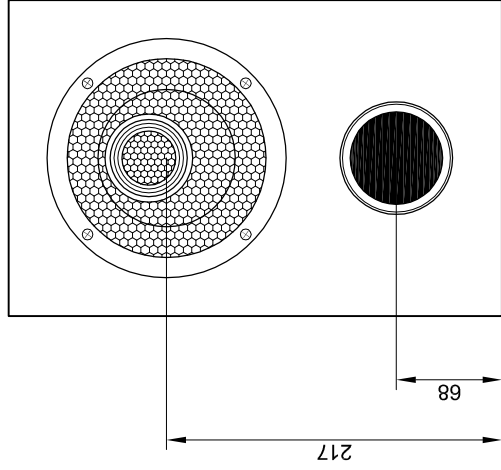
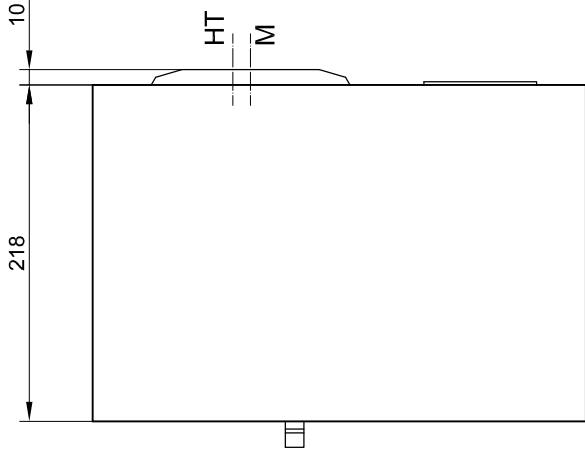


rear view



front view



side view

| | | |
|--|-------------|---------------|
| Zul. Abw. ... | Oberfl. ... | Maßstab 1 : 5 |
| Material ... | | |
| Datum | Name | Benennung |
| Bearb. 10.12.03 | Tränkner | Ansicht ME 25 |
| Geänd. ... | ... | |
| Geänd. ... | ... | |
| Geänd. ... | ... | |
| musikelektronic gelthain Nikolaistraße 7 04643 Gelthain Tel. 034341 / 311-0 | | ... |
| | | ... |
| | | ... |
| | | Blatt |